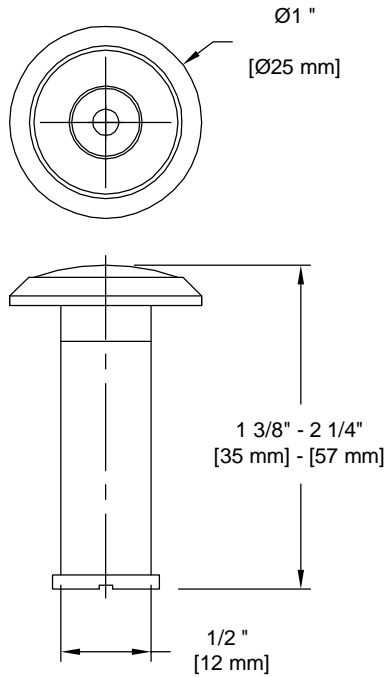


# PRODUCT DATA SHEET

**Product Description:** Door viewer, 180 degrees, 1/2" bore. Adjustable to fit doors from 1 3/8" to 2" thick. Fabricated from solid brass with a US10B oil rubbed bronze finish. Viewing lens fabricated from plastic.



**Overall Size:** 1" W X 1" H X 1 11/16" D

**Material:** Brass

**Finish:** US10B Oil Rubbed Bronze

### Cross Reference

Manufacturer	Part Number



Description:

**Door Viewer, 180,  
1/2" Bore, 1 3/8" - 2"**

Part Number:

**31843**

Date

03/14

Rev.

03