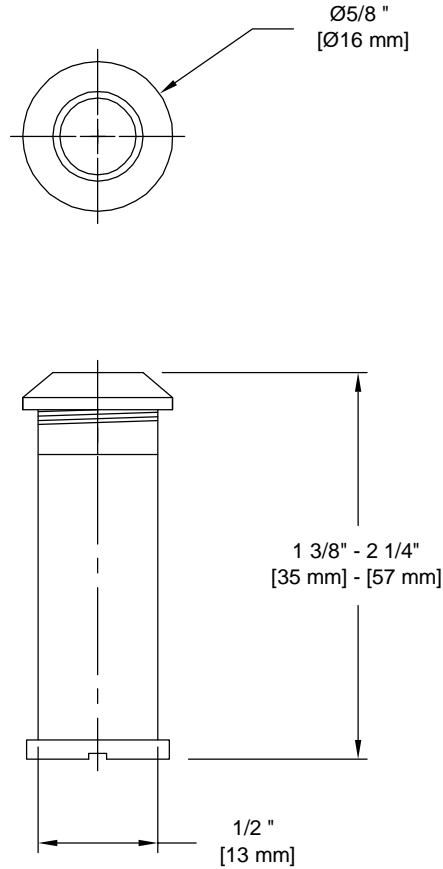


PRODUCT DATA SHEET

Product Description: Door viewer, 160 degrees, 1/2" bore. Adjustable to fit doors from 1 3/8" to 2" thick. Fabricated from solid brass with a US10B oil rubbed bronze finish. Viewing lens fabricated from plastic.



Overall Size: 5/8" W X 5/8" H X 1 5/8" D

Material: Brass

Finish: US10B Oil Rubbed Bronze

Cross Reference

Manufacturer	Part Number



Description:

**Door Viewer, 160,
1/2" Bore, 1 3/8" - 2"**

Part Number:

31806

Date

03/14

Rev.

03

Sheet 1 of 1